

# DYNAPAC

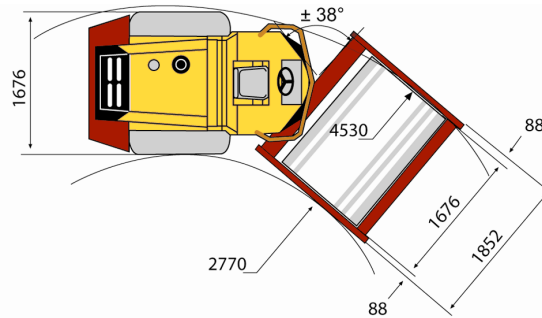
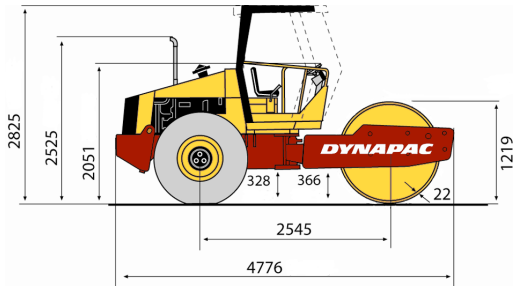
Part of the Atlas Copco Group

## CA150AD

### Single drum vibratory rollers



#### Technical data



Masses		CA150AD
Operating mass (incl. ROPS)		7,600 kg
Module mass (front/rear)		3,900/3,700 kg
Max. operating mass		8,300 kg
Traction		
Speed range		0-5 km/h
Vertical oscillation		±9
Tyre size (8 ply)		13.00-24
Theor. gradeability		55 %
Compaction		
Static linear load		23.3 kg/cm
Nominal amplitude (high/low)		0.8/0.4 mm
Vibration frequency (high/low amplitude)		45/45 Hz
Centrifugal force (high/low amplitude)		115/58 kN
Water tank (l)		500
Engine		
Manufacturer/Model		Cummins BT3.3 (*)
Type		4 cylindre Water cooled turbo diesel
Rated power, SAE J1995		60 kW (80 hp) @ 2,200 rpm
Fuel tank capacity		225 l
Hydraulic system		
Driving		Axial piston pump with variable displacement. Axial piston motor with variable displacement. Axial piston motor with constant displacement.
Vibration		Axial piston pump with variable displacement. Axial piston motor with constant displacement.
Steering		Gear pump with constant displacement.
Service brake		Hydrostatic in forward and reverse lever.
Parking/Emergency brake		Failsafe multidisc brake in rear axle.
Notes		
(*)		For sales outside ECC countries only

Find your local dealer at [www.dynapac.com](http://www.dynapac.com)

We reserve the right to change specifications without notice. Photos and illustrations do not always show standard versions of machines. The above information is a general description only, all informations are supplied without liability.