

DYNAPAC

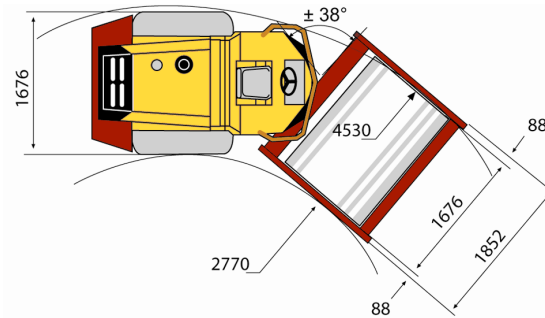
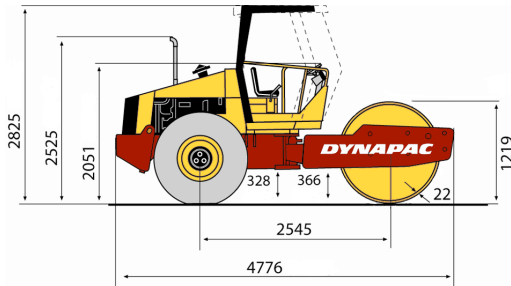
Part of the Atlas Copco Group

CA150A

Single drum vibratory rollers



Technical data



Masses	CA150A
Operating mass (incl. ROPS)	7,400 kg
Module mass (front/rear)	3,700/3,700 kg
Max. operating mass	8,100 kg
Traction	
Speed range	0-7.5
Vertical oscillation	±9
Tyre size (8 ply)	13.00-24
Theor. gradeability	40 %
Compaction	
Static linear load	22.1 kg/cm
Nominal amplitude (high/low)	0.8/0.4 mm
Vibration frequency (high/low amplitude)	45/45 Hz
Centrifugal force (high/low amplitude)	115/58 kN
Water tank (l)	500 l
Engine	
Manufacturer/Model	Cummins BT3.3 (*)
Type	4 cylindre Water cooled turbo diesel
Rated power, SAE J1995	60 kW (80 hp) @ 2,200 rpm
Fuel tank capacity	225 l
Hydraulic system	
Driving	Axial piston pump with variable displacement. Axial piston motor with variable displacement. Axial piston motor with constant displacement.
Vibration	Axial piston pump with variable displacement. Axial piston motor with constant displacement.
Steering	Gear pump with constant displacement.
Service brake	Hydrostatic in forward and reverse lever.
Parking/Emergency brake	Failsafe multidisc brake in rear axle.
Notes	
(*)	For sales outside ECC countries only

Find your local dealer at www.dynapac.com

We reserve the right to change specifications without notice. Photos and illustrations do not always show standard versions of machines. The above information is a general description only, all informations are supplied without liability.